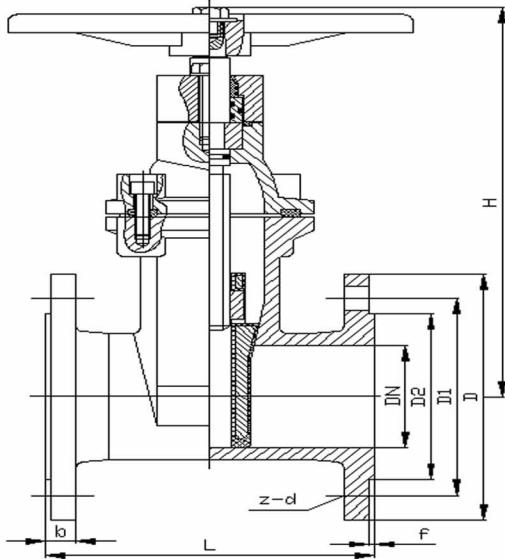


BS5163 RESILIENT SEATED WEDGE GATE VALVE NRS



Materials of Parts

Body	Ductile Iron to BS2789 Gr 500/7
Bonnet	Ductile Iron to BS2789 Gr 500/7
Disc	Ductile Iron + EPDM
Stem	Stainless Steel to BS970 Gr SS420
Stem nut	Brass to BS2874
Gasket	EPDM to BS2494
Handwheel	Ductile Iron to BS2789 Gr 500/7
Bolts & Nuts	SS304 / Carbon Steel with Zinc

Dimension: PN16

Size	D	D1	D2	H	L	b	f	z-d	Weight kg
DN40	150	110	84	228	165	19	3	4-Ø19	9
DN50	165	125	99	253	178	19	3	4-Ø19	10
DN65	185	145	118	278	190	19	3	4-Ø19	14
DN80	200	160	132	308	203	19	3	8-Ø19	16
DN100	220	180	156	342	229	19	3	8-Ø19	21
DN125	250	210	184	395	254	19	3	8-Ø19	32
DN150	285	240	211	437	267	19	3	8-Ø23	39
DN200	340	295	266	523	292	20	3	12-Ø23	66
DN250	405	355	319	605	330	22	3	12-Ø28	105
DN300	460	410	370	688	356	24.5	4	12-Ø28	135
DN350	520	470	429	770	381	26.5	4	16-Ø28	200
DN400	580	525	480	850	406	28	4	16-Ø31	255
DN450	640	585	548	922	432	30	4	20-Ø31	310
DN500	715	650	609	1010	457	31.5	4	20-Ø34	424
DN600	840	770	720	1164	508	35	5	20-Ø37	630
DN700	910	840	794	1630	610	39.5	5	24-Ø37	920
DN800	1025	950	901	1805	660	43	5	24-Ø40	1260
DN900	1125	1050	1001	1910	711	46.5	5	28-Ø40	1840
DN1000	1255	1170	1112	2160	811	50	5	28-Ø43	3250
DN1200	1485	1390	1328	2450	960	57	5	32-Ø49	4800

Note: The illustrations in this catalogue are subject to modifications without notice.

MINGPIN  **METALS**

No.69 Wangjiang West Road, Hefei, China
sales@mingpinmetals.com

T: +86-551-64211984 F: +86-551-64211974
www.mingpinmetals.com